



WE BELIEVE IN A
BRIGHTER WORLD



COMPANY

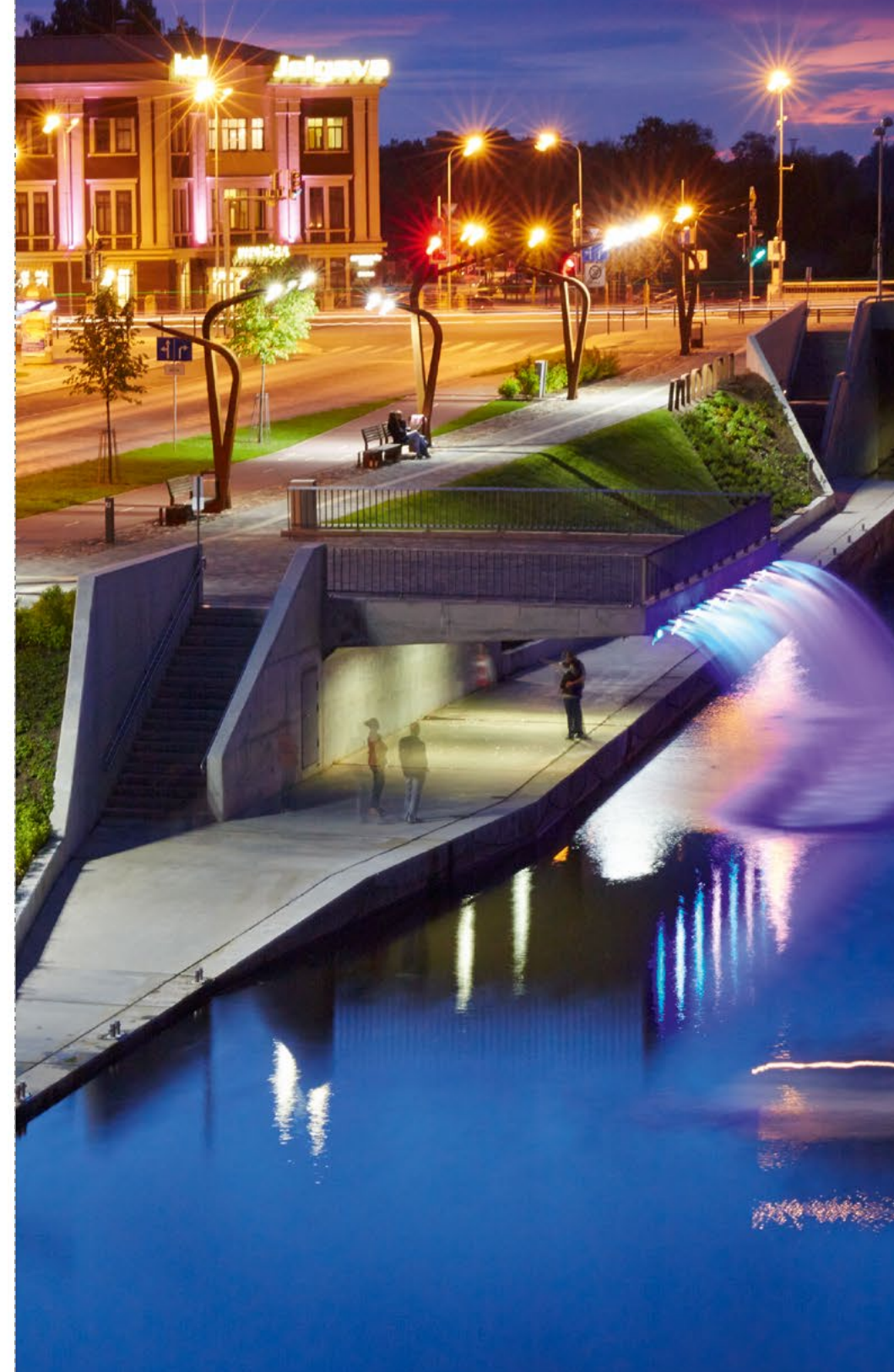
TECNOPALI North Europe is the largest steel lighting pole, high mast and accompanying steel structure producer in the Baltics, located in Daugmale, Latvia.

Tecnopali North Europe produces wide range of products:

- Conical poles
- Stepped poles
- Cylindrical poles
- Passive safety poles (HE2; HE3)
- High masts
- Catenary poles
- Decorative poles
- Traffic light and sign poles
- Custom design and projects

Flexible production, high quality standards and wide coating options together with highly skilled engineers allows Tecnopali North Europe to offer both standard and highly custom products which meet individual needs of our customers all across Europe.

Our products are designed and engineered to meet the strictest international standards: EN 40-5, EN 12767 for lighting poles; EN 1090 for steel structures; EN 12899 for traffic lights and road signs.



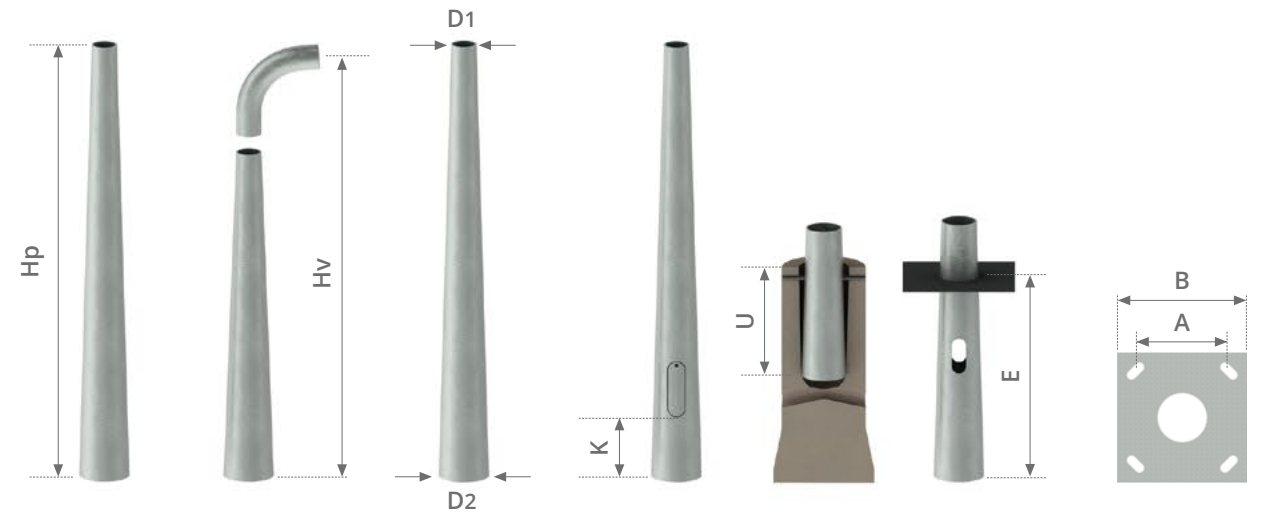
CONTENTS

CONICAL POLES	7
STEPPED POLES	9
PASSIVE SAFETY POLES	11
CYLINDRICAL POLES	13
CONICAL FLOODLIGHT POLES	15
HIGH MASTS	17
ARMS	19
DECORATIVE ARMS	21
DECORATIVE POLES	23
INSTALLATION OPTIONS	24
COATINGS	25
STEEL CONSTRUCTIONS AND CUSTOM DESIGNS	26





CONICAL POLES

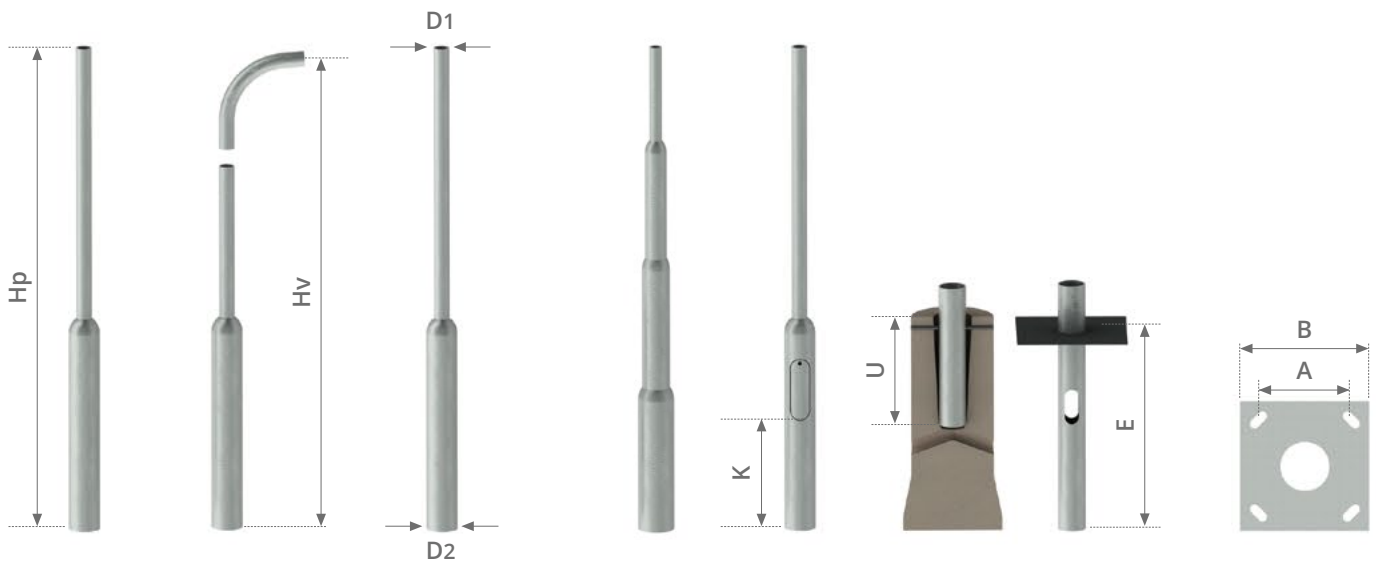


Height	Height with arm	Top Ø	Bottom Ø	Door height	Installation depth		Flange plate	
Hp (m)	Hv (m)	D1 (mm)	D2 (mm)	K (mm)	U (mm)	E (mm)	B (mm)	A (mm)
3	3 - 4	60	104	650	500	800	300	200
4	4 - 5		114					
5	5 - 7		125					
6	6 - 8		125					
6	6 - 8		138					
6,5	7 - 9		131					
8	8 - 10		146	950	600	1500	350	250
8,5	8,5 - 12		151					
8,5	8,5 - 12	76	167					
10	10 - 12,5	60	166					
10,5	10,5 - 13	76	187					
10,5	10,5 - 13	89	200					





STEPPED POLES



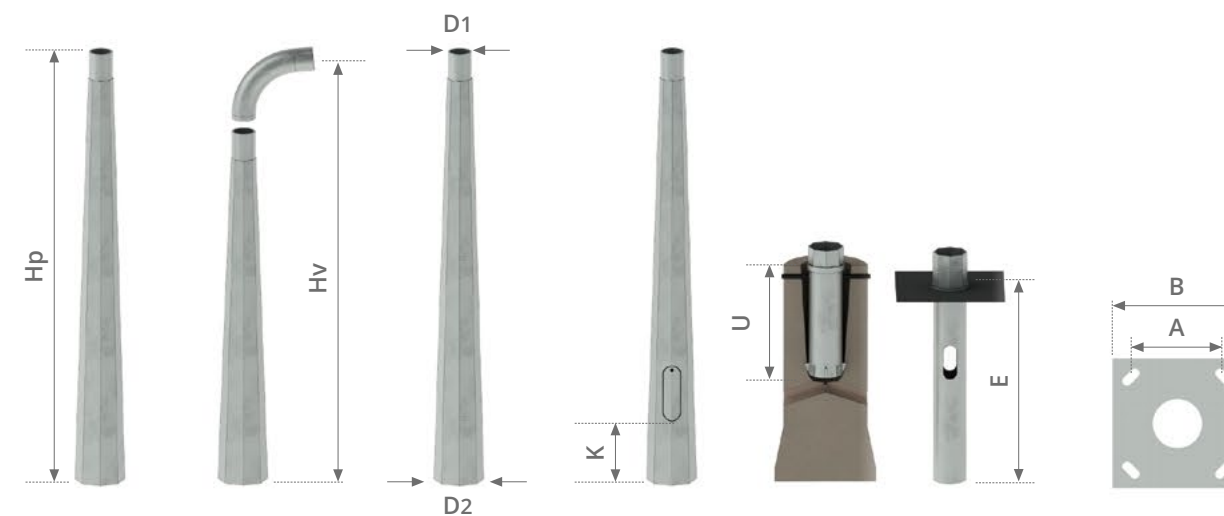
Height	Height with arm	Top Ø	Bottom Ø	Steps	Door height	Installation depth		Flange plate	
Hp (m)	Hv (m)	D1 (mm)	D2 (mm)	Number (Pcs.)	K (mm)	U (mm)	E (mm)	B (mm)	A (mm)
3	4	60	108/114	2	500	500	800	300	200
4	5			2					
5	6			2/3					
6	7			2/3					
7	8	76	114	3/4	1000	600	1500	350	250
8	9			3/4					
10	11			4					
12	13	89	168	4/5	650	1800	2000	400	350
15	16	108	219	4/5					





PASSIVE SAFETY POLES

EN 12767



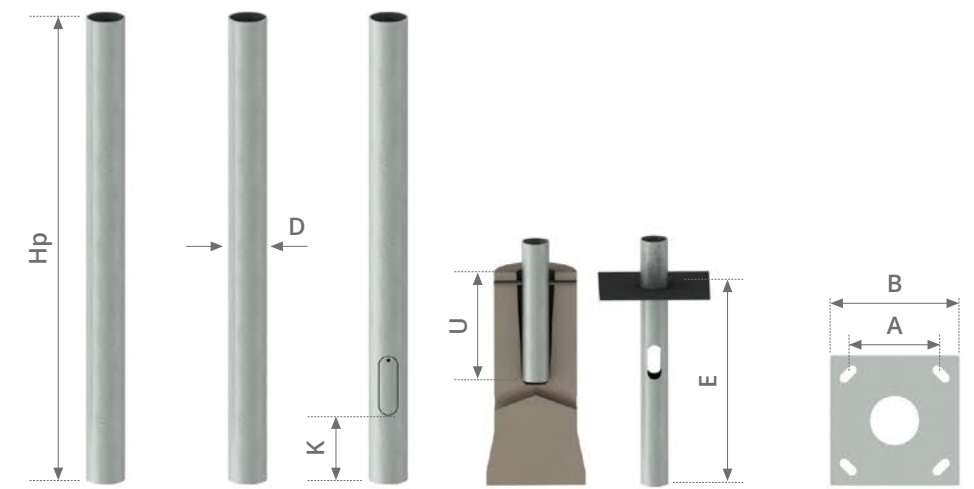
Height	Height with arm	Top Ø	Bottom Ø	Door height	Installation depth ¹		Flange plate ²	
Hp (m)	Hv (m)	D1 (mm)	D2 (mm)	K (mm)	U (mm)	E (mm)	B (mm)	A (mm)
6	6 - 8	48/60	152	968	640	1500	350	250
7	7 - 9							
8	8 - 10							
9	9 - 11							
10	10 - 12	76	168	1700				
11	11 - 13							
13	13 - 15		214					

Crash tested and CE certified.
 1 - safety class HE3, 100 km/h. 2 - Safety class HE2, 100 km/h.



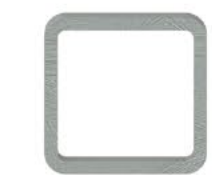


CYLINDRICAL POLES



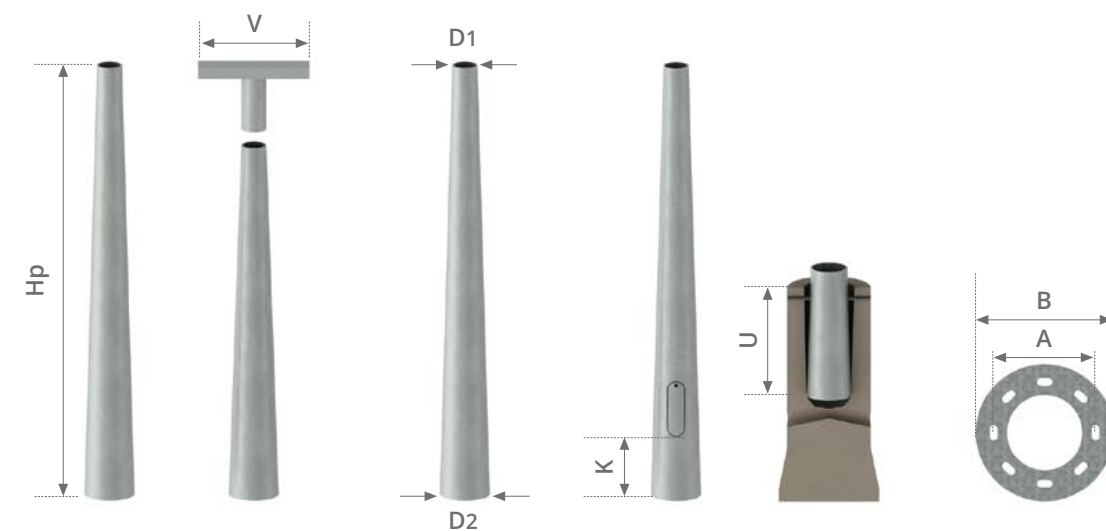
Height	Diameter Ø	Door height	Installation depth		Flange plate	
Hp (m)	D (mm)	K (mm)	U (mm)	E (mm)	B (mm)	A (mm)
3	102	500	500	800	350	250
4				1000		
5				1000		
6	108	1000	600	1500	350	250
7				1800		
8				1800		
9	127	1000	650	1800	350	250
10				1800		
11				1800		
12	168					

Shapes





CONICAL FLOODLIGHT POLES



Height	Arm	Top Ø	Bottom Ø	Door height	Installation depth	Flange plate	
Hp (m)	V (m)	D1 (mm)	D2 (mm)	K (mm)	U (mm)	B (mm)	A (mm)
14	0,5 - 3	108	240	950	750	540	400
15			250				
16			260				
18			285				
20		295					
20	205	400	-	630	520		

Optional details



Traverse



Circular Traverse



Fixed or removable steps with safety cable



Anchor bolts set for fixing on site





HIGH MASTS

Fixed platform



Safety ladder



Round traverse



Straight traverse



High Masts



Type	Height
HM20	20 m
HM25	25 m
HM30	30 m
HM35	35 m
HM40	40 m

Tecnopali high masts are designed and calculated assuming specific requirements of the particular project and customer needs.

Masts could be optionally equipped with:

- Traverse,
- Round crown,
- Fixed platform,
- Raising-lowering crown,
- Safety ladders with anti-falling device.

High masts consist of several polygonal sections which are assembled using slip-joint connection.

ARMS

Single arm



Type - P

Diameter (mm)	48 - 89
Outreach (mm)	250 - 2500
Uplift (mm)	250 - 2500
Tilt angle (°)	0 - 15



Type - L

Diameter (mm)	48 - 89
Outreach (mm)	100 - 2500
Uplift (mm)	100 - 2500
Tilt angle (°)	0 - 15



Type - S

Diameter (mm)	48 - 89
Uplift (mm)	500 - 2500



Type - PE

Diameter (mm)	60 - 89
Outreach (mm)	250 - 2500
Uplift (mm)	250 - 2500
Tilt angle (°)	0 - 15



Type - LE

Diameter (mm)	60 - 89
Outreach (mm)	100 - 2500
Uplift (mm)	100 - 2500
Tilt angle (°)	0 - 15



Type - SE

Diameter (mm)	60 - 89
Uplift (mm)	500 - 2500
Installation on top (Ø)	48 - 76

Double arm



Type - T

Diameter (mm)	48 - 89
Outreach (mm)	250 - 2500
Uplift (mm)	250 - 2500
Tilt angle (°)	0 - 15



Type - TO

Diameter (mm)	48 - 89
Outreach (mm)	100 - 2500
Uplift (mm)	100 - 2500
Tilt angle (°)	0 - 15



Type - V

Diameter (mm)	48 - 89
Outreach (mm)	100 - 2500
Uplift (mm)	250 - 2500
Tilt angle (°)	0 - 15
Angle between arms (°)	90 - 120



Type - W

Diameter (mm)	48 - 89
Outreach (mm)	250 - 2500
Uplift (mm)	250 - 2500
Tilt angle (°)	0 - 15



Type - K

Diameter (mm)	48 - 89
Outreach (mm)	250 - 2500
Uplift (mm)	250 - 2500
Tilt angle (°)	0 - 15

Triple arm

Quadruple arm

ARMS

Golf arm



Diameter (mm)	48 - 76
Outreach (mm)	100 - 500
Uplift (mm)	100 - 500
Tilt angle (°)	0 - 15



Diameter (mm)	48 - 76
Outreach (mm)	100 - 500
Uplift (mm)	100 - 500
Tilt angle (°)	0 - 15



Diameter (mm)	48 - 76
Outreach (mm)	100 - 500
Uplift (mm)	100 - 500
Tilt angle (°)	0 - 15

Traverse



Type - TS

Diameter (mm)	48 - 108
Outreach (mm)	100 - 3000
Uplift (mm)	100 - 2500



Type - TC

Diameter (mm)	48 - 108
Crown diameter (mm)	500 - 2000
Uplift (mm)	100 - 2500



Type - CA

Fits poles (Ø)	60 - 340
Width (mm)	400 - 1500
Floodlights (pcs)	1 - 3

Special arms

ARM FOR WALL



Outreach (mm)	100 - 1500
Tilt angle (°)	0 - 15

ARM FOR WOODEN POLE



Type - WP

Outreach (mm)	250 - 1500
Tilt angle (°)	0 - 15

POLE ARM



Outreach (mm)	100 - 1500
Tilt angle (°)	0 - 15
Installation on pole (mm)	60 - 168



DECORATIVE ARMS



Ligo Genu



Ligo Recta



Ligo Cavas



Signum



Aucti



Crux



Arcus



Denuo



Genere

Other unique decorative designs are available based on individual design for particular environment, customer request or customer supplied design.

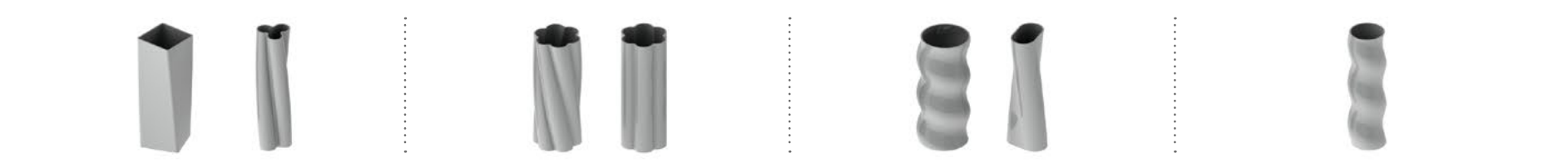


DECORATIVE POLES

Conical designs	Stepped designs	Cylindrical designs	Vintage designs	Twisted tube designs
-----------------	-----------------	---------------------	-----------------	----------------------















Pole shapes for decorative designs



Other unique decorative designs are available based on individual design for particular environment, customer request or customer supplied design.

INSTALLATION OPTIONS

Arm installation types				Pole installation types		
						
Pressed	Welded tube	Umbrella	Over the pole	On flange plate	Embedded	Concrete foundation

Door types & box installation types				
				
External door	Internal door	C-rail	Wooden plate	Steel plate

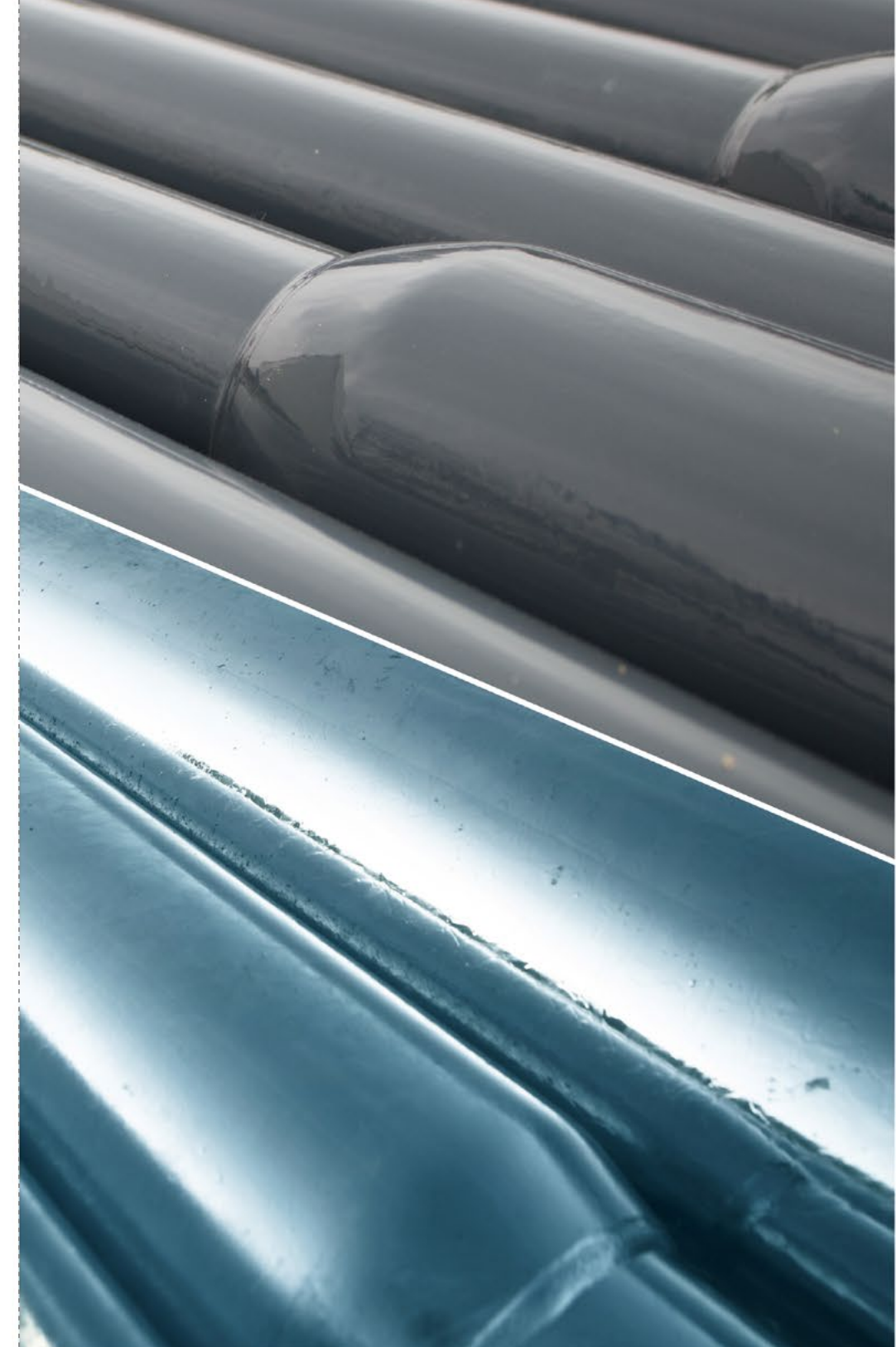
Fixed with screws or lock

COATINGS



Hot dip galvanization according to EN ISO 1461
 Powder or wet painting:

- RAL catalogue
- Thermoplastic coating (Plascoat)
- Anti-graffiti, Anti-stick
- Decorative coats on request



STEEL CONSTRUCTIONS AND CUSTOM DESIGNS

Hinged poles	Traffic gates / Road signs / other road constructions	Catenary poles
 <p data-bbox="201 754 403 800">Middle hinge / Base hinge / 6-18 m</p>		

Renewable energy	Smart poles / camera poles	Traffic light poles
		

STEEL CONSTRUCTIONS AND CUSTOM DESIGNS

Steel foundations	Concrete foundation / Anchor bolts sets	Poles for lightning protection
		

Bollards	Customers design
	



TECNOPALI NORTH EUROPE

Daugmale, Kekavas novads, LV-2124, Latvia

 @Tecnopali  @tecnopali

Tel. +371 67148855 | Fax. +37167148866

sales@tecnopali.lv

www.tecnopali.lv