

# Mooring Bollard LED light module



We reserve the right  
to make changes to  
our products.

*Candeo L.*

Made in Finland  
[www.candeeffect.com](http://www.candeeffect.com)

# Marine

Savled Marine Products are series of high quality marine LED lighting products

Made in Finland by Savled.



Made in Finland

[www.candeeffect.com](http://www.candeeffect.com)

*Candee L.*

We reserve the right to make changes to our products.



	Luminous flux of the light source
4000K	180 lm

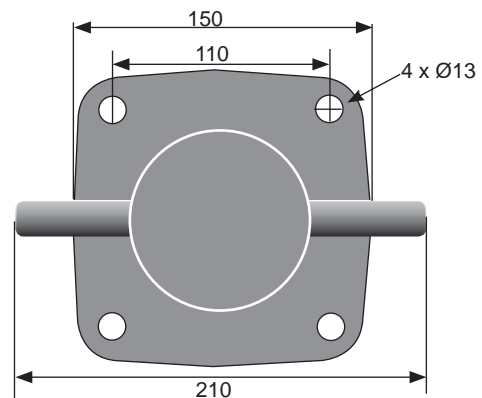
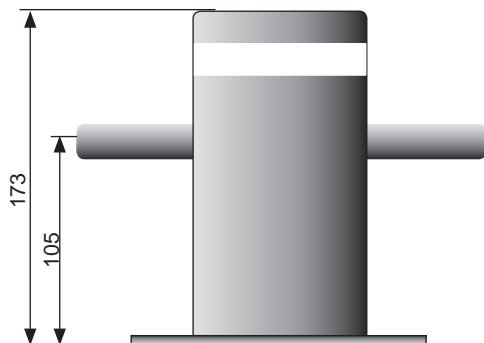
Frame	HST AISI316
Input voltage	12 - 24 VDC (min. 9V - max. 36V)
Current consumption	0,2 A - 0,1 A
Operating temperature	-40 °C - + 60 °C
Life time	100.000 h with a 30% decrease in luminous flux
Warranty	Light unit: 6 years

## Mooring Bollard: Suvas

Product code	Model	W	K	Led	Weight	Hight	Strength
CEL140 261 250	Suvas	2,5	4000 (NW)	2 x Rebel	1,73 kg	173 mm	30 kN

## Spare part: Suvas

CEL340 261 2B0	Led light module $\phi$ 90 mm	2,5	4000K (NW)	2 x Rebel			



# Marine



	Luminous flux of the light source
4000K	180 lm

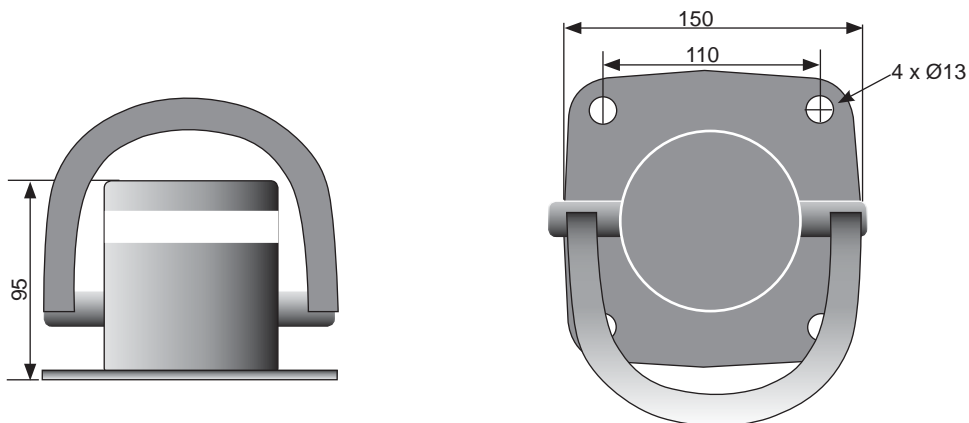
Frame	HST AISI316
Input voltage	12 - 24 VDC (min. 9V - max. 36V)
Current consumption	0,2 A - 0,1 A
Operating temperature	-40 °C - + 60 °C
Life time	100.000 h with a 30% decrease in luminous flux
Warranty	Light unit: 6 years

## Mooring Bollard: Puro

Product code	Model	W	K	Led	Weight	Height	Strength
CEL140 261 250 MR	Puro	2,5	4000 (NW)	2 x Rebel	3,5 kg	95 mm	30 kN

## Spare part: Puro

CEL340 261 2B0	Led light module $\phi$ 90 mm	2,6	4000K (NW)	2 x Rebel			





	Luminous flux of the light source
4000K	180 lm

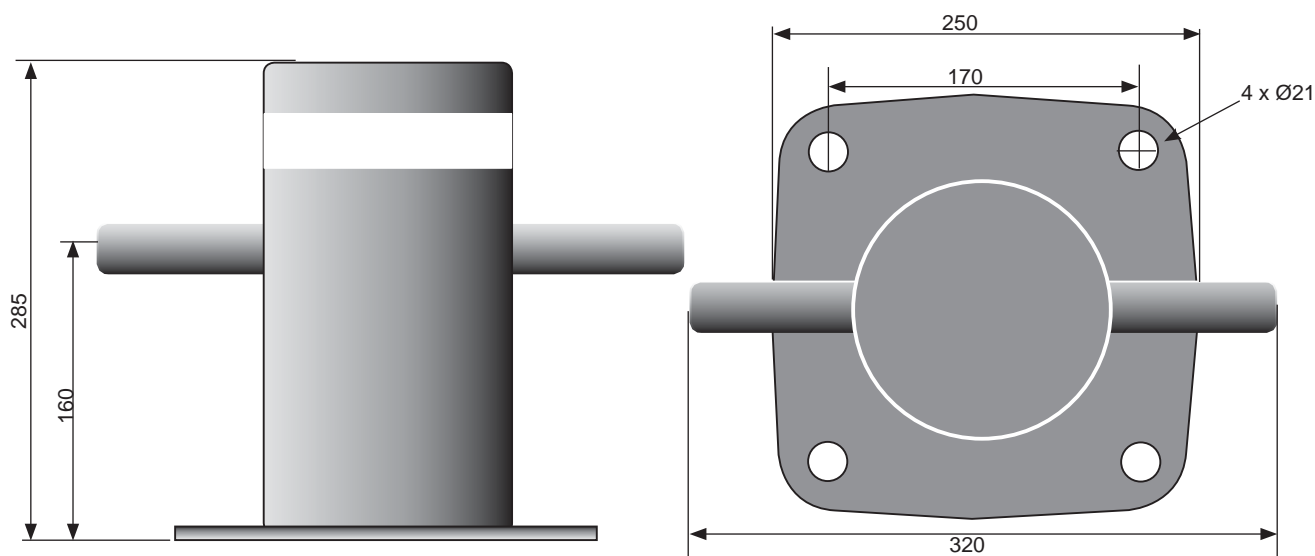
Frame	HST AISI316
Input voltage	12 - 24 VDC (min. 9V - max. 36V)
Current consumption	0,29 A - 0,15 A
Operating temperature	-40 °C - + 60 °C
Life time	100.000 h with a 30% decrease in luminous flux
Warranty	Light unit: 6 years

## Mooring Bollard: Inari

Product code	Model	W	K	Led	Weight	Height	Strength
CEL140 262 250	Inari	3,5	4000 (NW)	3 x Rebel	11 kg	244 mm	100 kN

## Spare part: Inari

CEL340 262 2B0	Led light module $\varnothing$ 140	3,5	4000K (NW)	3 x Rebel			



# Marine



	Luminous flux of the light source
4000K	2 x 180 lm

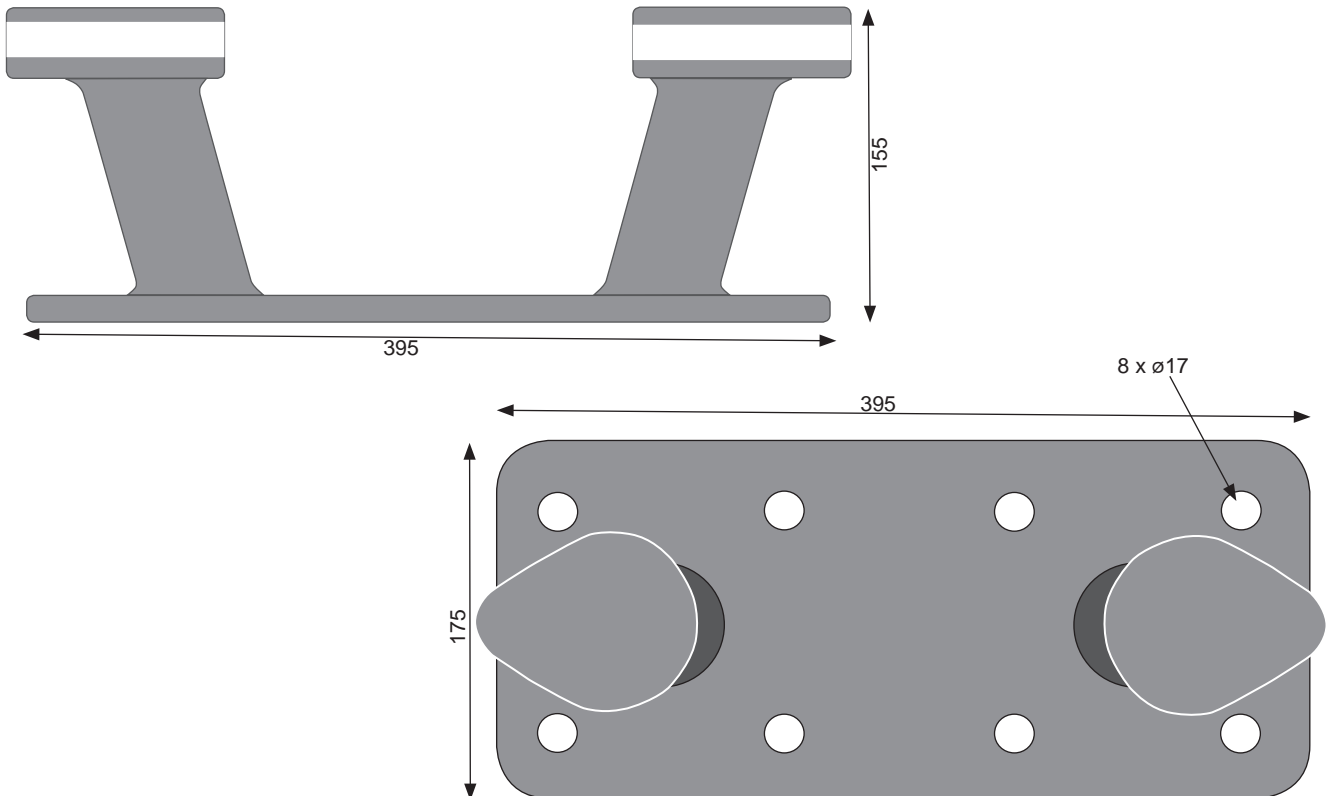
Frame	HST AISI316
Input voltage	12 1 24 VDC (min. 9V - max. 36V)
Current consumption	0,42 A - 0,21 A
Operating temperature	-40 °C - + 60 °C
Life time	100.000 h with a 30% decrease in luminous flux
Warranty	Light unit: 6 years

## Mooring Bollard: Puula

Product code	Module	W	K	Led	Weight	Height	Strength
CEL140 261 250 BS	Puula	5	4000 (NW)	4 x Rebel	11 kg	155 mm	100 kN

## Spare part: Puula

CEL340 261 2C0	Led light module Puula	2,5	4000K (NW)	2 x Rebel			



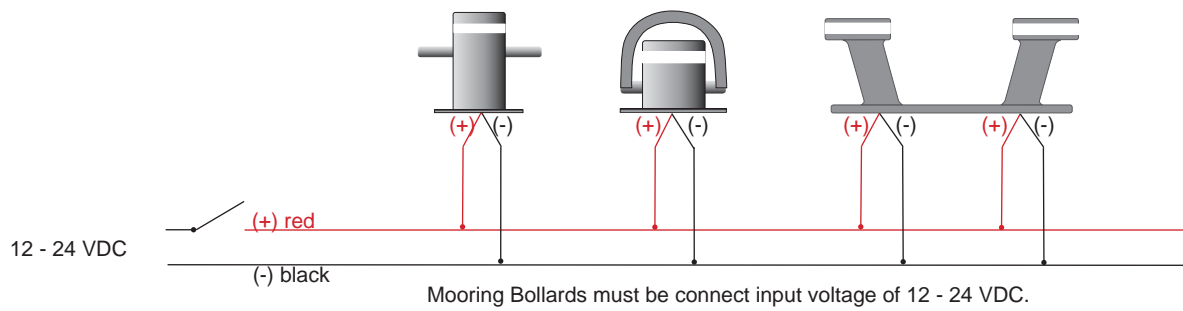
Made in Finland

[www.candeeffect.com](http://www.candeeffect.com)

*Candee L.*

We reserve the right to make changes to our products.

## Mooring Bollard: Connection



# Marine

Manufacturer:  
Savled /Diranet Oy  
Laitaatsillantie 3  
57170 SAVONLINNA  
FINLAND  
Tel.+358 15 555 0031

Made in Finland

[www.candeeffect.com](http://www.candeeffect.com)

*Candee E.*

We reserve the right  
to make changes to  
our products.